



**AUTODESK**

## **Top 5 Reasons to Switch to Autodesk Fusion**

*Autodesk Fusion is more than just CAD. It's the future of design and manufacturing, combining CAD, CAM, CAE, and PCB into a single integrated cloud software platform. Let's take a look at the top 5 reasons you need to switch to Fusion so you can do your job faster and with fewer headaches.*

## **1** *Data and collaboration at the center*

From the beginning, Fusion was built with a collaboration-first mindset. While designing with multiple stakeholders internally and externally to your firewall, you can simultaneously work on complex assemblies, with a plethora of tools directly within the context of your assembly alongside your peers. Better yet, leave the 90s by sharing your work seamlessly with stakeholders outside the firewall safely simply with a link. They can view it in their browser to comment and markup ensuring you get feedback early in the development process.



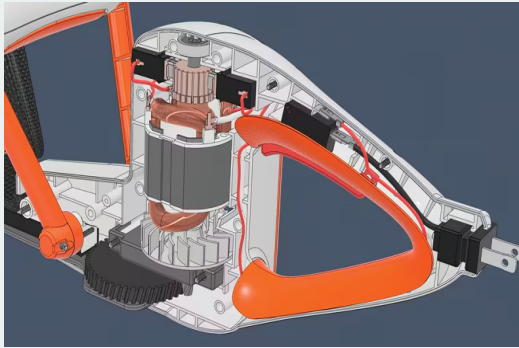
## **2** *One product, unlimited possibilities*

Products are getting more complex and require more than just traditional CAD tools to bring a design to market. Fusion allows you to integrate unlimited workflows including CAD, E-CAD, visualization, CAE, documentation, and CAM, all within a single tool. There's even full associativity, so a design change made anywhere reflects everywhere. Reducing the amount of mundane rework typically required when you go to "partner" tools.

## **3** *Your gateway to secure, anytime access*

Next, This is not your "traditional" CAD tool that couldn't foresee the progression from today's computing advancements. Fusion allows organizations to deploy software, permissions, and data to the essential stakeholders, ensuring security across all essential IPs. And as a user, you can access your data at any time on any device simply with your corporate credentials. Do you remember the days of VPNing or not having access to the right sub-assembly? Well, those are no longer.



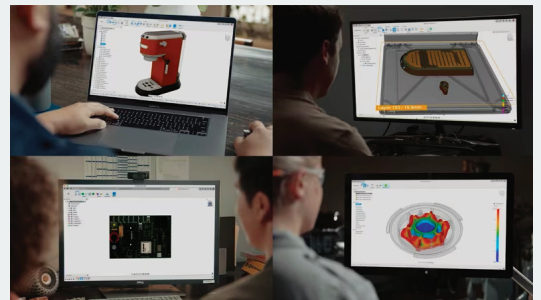


## 4 **Modern CAD and 3D modeling tools**

If you come from a traditional CAD tool, you'll be mind blown by the flexible design tools in Fusion. Experience the freedom of design with integrated modeling techniques. Freeform, surface, parametric, direct, sheet metal, mesh – you name it. Not only do we get it, but they work together in workflows you have never imagined.

## 5 **Customizable advanced functionality**

But it doesn't stop there. Fusion's integrated partnership ecosystem, community, and learning resources are creating the next generation of designers, engineers, and manufacturers. We're here to grow with your business no matter the size. You can even expand capabilities with Fusion extensions to ensure the most complex jobs get done ahead of schedule.



# **Autodesk Fusion: It's time to make the switch**

And there you have it, Autodesk Fusion. It's more than CAD, it's the future of design and manufacturing. For a detailed list of the differences between Fusion vs. Solidworks, see [here](#).

Put away your multiple outdated and overpriced tools and start today with a 30-day free trial.



**AUTODESK**